

ООО "Простая Механика"
 121375, г. Москва, ул. Верейская, д.29А
Тел./факс:(495) 221-9791
 e-mail: info@elmechanics.ru
 internet: www.elmechanics.ru
 internet: www.upat.ru

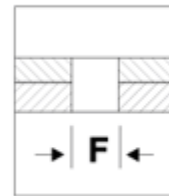
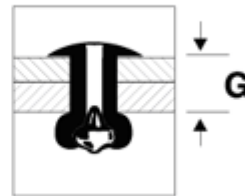
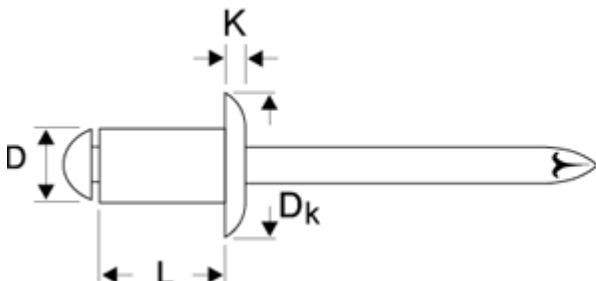
Алюминий/нержавеющая сталь	стандартная	стандартный бортик
-----------------------------------	--------------------	---------------------------

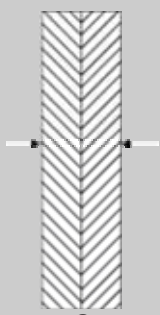
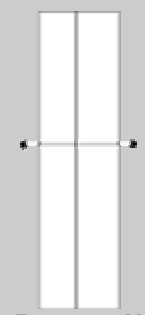



Алюминий (AlMg3,5 или AlMg5)



Нержавеющая сталь (AISI 304)



$\varnothing D$	L			
		G	Разрыв N	Срез N
3,0	6,0	1,0-2,5	880	650
Dk 6,5	7,0	2,5-4,5		
K 0,8	8,0	4,0-5,5		
Fmax 3,1	10,0	5,5-7,0		

	12,0	7,0-9,0		
3,2	6,0	1,5-3,5	1180	800
Dk 6,5	8,0	3,5-5,5		
K 0,8	10,0	5,5-7,0		
Fmax 3,3	12,0	7,0-9,0		
4,0	6,0	1,5-3,0	1670	1210
Dk 8,0	8,0	3,0-5,0		
K 1,0	10,0	5,0-6,5		
Fmax 4,1	12,0	6,5-8,5		
	16,0	8,5-12,5		
	20,0	12,5-16,5		
4,8	7,0	2,0-4,0	2940	2110
Dk 9,5	9,0	4,0-5,0		
K 1,1	10,0	5,0-6,0		

Fmax 5,0	11,0	5,0-7,0		
	12,0	6,0-8,0		
	14,0	7,0-10,0		
	16,0	8,5-12,0		
	18,0	12,0-14,0		
	20,0	14,0-16,0		
5,0	6,0	1,0-3,0	2940	2110
Dk 9,5	8,0	3,0-4,5		
K 1,1	10,0	4,5-6,0		
Fmax 5,1	12,0	5,0-8,0		
	14,0	7,0-10,0		
	16,0	8,5-12,0		
	18,0	12,0-14,0		
	20,0	14,0-16,0		

	25,0	16,0-20,5		
	30,0	20,5-25,0		

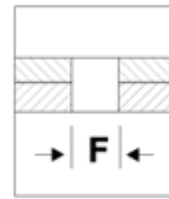
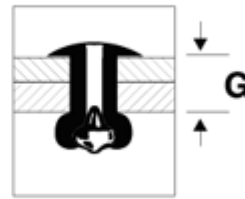
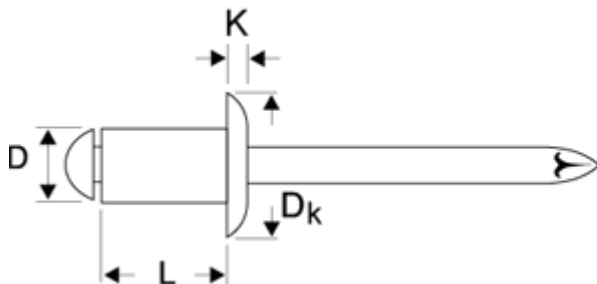
Алюминий/Нержавеющая сталь	стандартная	широкий бортик
-----------------------------------	--------------------	-----------------------

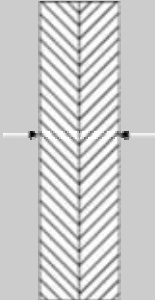




Алюминий (AlMg3,5 или AlMg5)



Нержавеющая сталь (AISI 304)



$\varnothing D$	L	 G	 Разрыв N	 Срез N
4,0	6,0	1-3	1670	1210
K12	8,0	3-5		
Dk 12,0	10,0	5,0-6,5		
K 1,2	12,0	6,5-8,5		
Fmax 4,1	16,0	8,5-12,5		

	18,0	12,5-14,5		
	20,0	12,5-16,5		
	25,0	16,5-21,0		
4,8	6,0	1,5-2,5	2940	2110
K11	8,0	2,5-4,0		
Dk 11,0	10,0	4-6		
K 2,0	12,0	6-8		
Fmax 5,0	16,0	8-12		
	18,0	10,5-14		
	20,0	12-15		
	22,0	14-17		
	25,0	15-20		
	30,0	20-25		

4,8	6,0	1,5-2,5	2940	2110
K14	8,0	2,5-4,0		
Dk 14,0	10,0	4-6		
K 2,0	12,0	6-8		
Fmax 5,0	16,0	8-12		
	18,0	10,5-14		
	20,0	12-15		
	22,0	14-17		
	25,0	15-20		
	30,0	20-25		
4,8	6,0	1,5-2,5	2940	2110
K16	8,0	2,5-4,0		

Dk 16,0	10,0	4-6		
K 2,0	12,0	6-8		
Fmax 5,0	16,0	8-12		
	18,0	10,5-14		
	20,0	12-15		
	22,0	14-17		
	25,0	15-20		
	30,0	20-25		
5,0	6,0	1,5-2,5	2940	2110
K11	8,0	2,5-4,0		
Dk 11,0	10,0	4-6		
K 2,0	12,0	6-8		
Fmax 5,1	16,0	8-12		

	18,0	10,5-14		
	20,0	12-15		
	22,0	14-17		
	25,0	15-20		
	30,0	20-25		
5,0	6,0	1,5-2,5	2940	2110
K14	8,0	2,5-4,0		
Dk 14,0	10,0	4-6		
K 2,0	12,0	6-8		
Fmax 5,1	16,0	8-12		
	18,0	10,5-14		
	20,0	12-15		
	22,0	14-17		

	25,0	15-20		
	30,0	20-25		
5,0	6,0	1,5-2,5	2940	2110
K16	8,0	2,5-4,0		
Dk 16,0	10,0	4-6		
K 2,0	12,0	6-8		
Fmax 5,1	16,0	8-12		
	18,0	10,5-14		
	20,0	12-15		
	22,0	14-17		
	25,0	15-20		
	30,0	20-25		